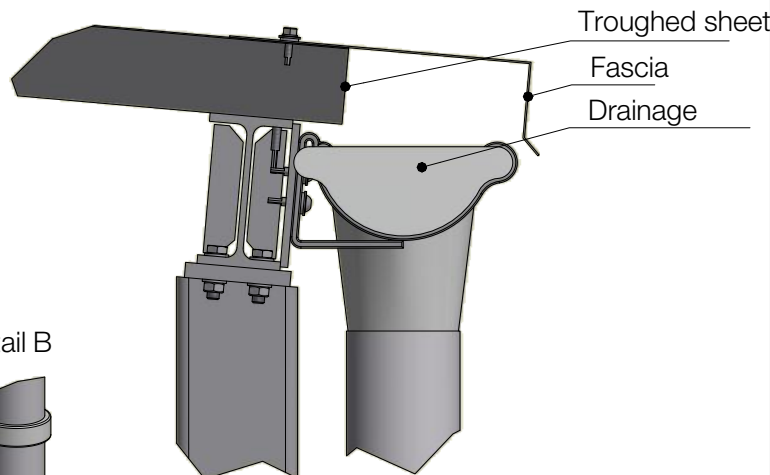
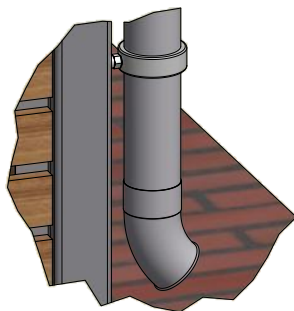


Detail A



Detail B



## Product description:

Pent roof with a roof pitch of min. 5° (approx. 9%)

For snow load zone 2 (< 285 m above sea level)  $sk = 0.85 \text{ kN/m}^2$

Optional: Snow load zone 2 (< 600 m above sea level), snow load zone 2a (< 500 m above sea level)  $sk = 2.06 \text{ kN/m}^2$

Roof covering from strip galvanized trapezoidal sheet steel in negative layers, underside rear-side protective paint similar to RAL9002, top side RAL 9002

Supports from square-section tube for concreting in sleeve foundations max. 2800 mm up to the top of the foundation

Optional: with foot plate for bolting onto foundations

Roof beams from IPE profile steel

Optional: ALU-zinc rain gutter 100 mm with downpipe 75 mm and pipe outlet

Optional: Trapezoidal sheet with anti-condensation fleece coating

Optional: Fascia from folded sheet steel, galvanised and powder-coated on the visible side

Optional side panelling:

- Woodline (data sheet 320)
- Trespa® (data sheet 321)
- Perforated metal sheets (data sheet 322)
- Climbing mats (data sheet 323)

Bearing structure, structurally verified with consideration to wind loads of wind zone 2 per DIN EN 1991-1-4 and snow loads per DIN EN 1991-1-3

