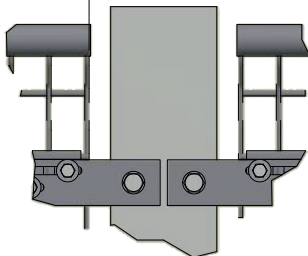
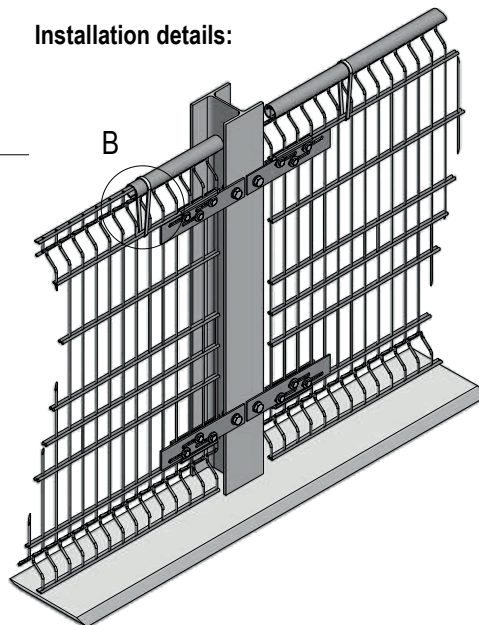


A (1 : 10)

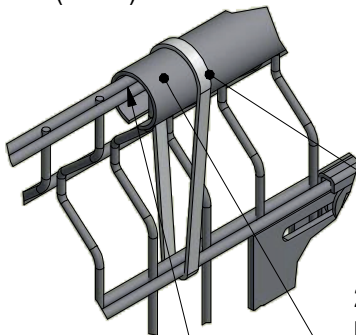
the handrail supernatant is about 2 mm each side



Installation details:



B (1 : 5)



3. Mounting aid: A cable tie 500x5 mm is applied to all splices attached to the handrail.

2. Provide at least two splices of 50x20x5 mm per handrail. From a length of 1000 mm, an additional splice is added per meter of handrail.

1. Before mounting the handrail, the adhesive surfaces must be cleaned free of grease and dust.

Technical data:

Max. element width: 5.510 mm
 Diameter: Ø42,4 mm
 Material: Steel S235

Surface: Hot-dip galvanised in accordance with EN ISO 1461

Optional: stainless steel 1.4301 honed grain 240

Note:

The assembly aids / cable ties are removed after the mounting adhesive has hardened. The curing times of the assembly adhesive can be found in the respective manufacturer's instructions.

For each splice, add about 20 ml of assembly adhesive.

